

G-BAT



230V



24V

ENV
PATENTED

G-WAY
BUS

G-DEC



Easy automation release



Sturdy internal kinematic mechanism that guarantees high durability over time

640 mm (G-Bat 300-324 ENV)

735 mm (G-Bat 400)



ACTUATOR FOR SWING GATES

Actuator with in-line thrust

Available in versions
230V and 24V

The 24V model is fitted with the ENV (Virtual Encoder) - PATENT function as standard

Leaves up to 3 m (230V and 24V) and 4 m (230V only)

G-WAY SYSTEM

24V version
(with the Brain 15 board) or
230V version
(with the Brain 19 board)

G-DEC SYSTEM

24V version
(with the Brain 15 board) or
230V version
(with the Brain 19 board)

PRO-CODER

Optional safety accessory
(with Brain 19 and Brain 15 board)

KINEMATIC MECHANISM

internal, consisting of a bronze crown wheel and a steel worm-screw

SLOWDOWN

when opening and closing on both versions
Possibility of adding a rod cover housing.

CONTROL BOARDS

Brain 19
Brain 15

Page 74
Page 75

Code	Name	Version	Voltage	Leaf max.	Use
6170026	G-Bat 300 RH	Non-reversible right	230V	3 m	Residential
6170027	G-Bat 300 LH	Non-reversible left	230V	3 m	Residential
6170030	G-Bat 400 RH	Non-reversible right	230V	4 m	Residential
6170031	G-Bat 400 LH	Non-reversible left	230V	4 m	Residential
6170038	G-Bat 324 ENV RH	Non-reversible right	24V	3 m	Residential
6170039	G-Bat 324 ENV LH	Non-reversible left	24V	3 m	Residential

TECHNICAL CHARACTERISTICS

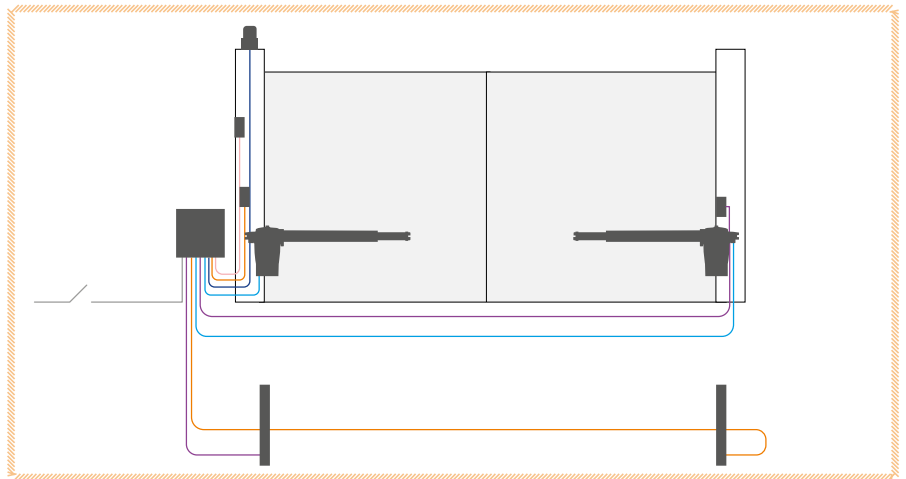
	G-Bat 300	G-Bat 400	G-Bat 324 ENV
Power supply (V)	230		230
Electric motor (V)	230		24
Nominal power (W)	280		35
Current (A)	1.2		-
Thermal protection (°C)	140		-
Thrust capacitor (µF)	8		-
Thrust (daN)	350		150
Travel (mm)	300	400	300
Max. speed (cm/sec.) ¹	1.6		2.1
Use frequency at 20°C	S3 - 30%		Continuous
Operating temperature (°C)	-20 +55		
Protection rating	IP54		
Weight (kg)	6.5	7	7.5

1 - The max. rod exit speed can change according to the weight and friction of the gate.
For leaves over 2.5 m, it is mandatory to install an electric lock in order to ensure leaf locking.

WIRING INSTALLATION DIAGRAM

- Line: 3x1.5 mm²
- Motor*: 4x1.5 mm²
- Flashing light: 2x1.5 mm²
- Selector: 2x0.5 mm²
- Photocell TX: 2x0.5 mm²
- Photocell RX: 4x0.5 mm²

* For 24Vdc motors, use 2x2.5 mm² cables - maximum distance between motor and control unit 10 m.



STANDARD INSTALLATION

Qty.	Material description	Part number	
1	Actuator - G-BAT 300 RH	6170026	
1	Actuator - G-BAT 300 LH	6170027	
1	Electronic board BRAIN 19	6100328	
1	Board enclosure	JA320	
1	Frequency module RQFZ 868 MHz	6100347	
1	Two-channel transmitter KILO TX2 JLC	6100332	
1	Flashing light - GUARD 230V	6100315	
1	Pair of VEGA photocells	6100147	
1	QUICK 1 external key button	JA31101-10	
1	Pair of ORION photocells	JA310	
2	Column for photocell	401070	
2	Foundation plate for column	737100	

ACCESSORIES

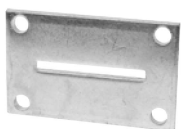


PLATE
Kit of 6 fixing plates.
110x70x5 mm.

Code **58P0199**



BATTERY KIT
Complete with charging board.
For 24V models only

Code **390923**



BRACKET
Kit containing 6 rear brackets h.160 mm.

Code **6100253**



COVERS
2 Rod covers
For G-BAT 300 and 324 ENV

Code **6100254**



BRACKET
Kit containing 6 rear brackets h.130 mm.
NOT for 324 ENV

Code **6100043**



PROcoder G-BAT

Code **6100324**



KIT FOR TWO-LEAF SWING GATES

Kit suitable for motorising two-leaf swing gates having a maximum width of 3.00 m, complete with accessories.

ACCESSORIES



COVERS
2 Rod covers
For G-BAT 300 and 324 ENV

Code **6100254**



Procoder G-Bat
For Kit 51701281

Code **6100324**

COMPLETE KIT:

Code	Model	Voltage	Leaf max.
51701271	G-Bat Kit - frequency 433 MHz - RC	230V	3 m
51701281	G-Bat Kit - frequency 868 MHz - JLC	230V	3 m

INDIVIDUAL COMPONENTS OF THE KIT:
51701271 G-BAT KIT -
FREQUENCY 433 MHZ - RC

Code	Name	Qty.
6170026	Electromechanical operator - G-Bat 300 RH	1
6170027	Electromechanical operator - G-Bat 300 LH	1
JA592	Control Board Brain 592	1
JA320	Control unit enclosure	1
6100354	Single-channel card receiver 433 MHz	1
6100334	Four-channel Transmitter Echo TX 4	1
6100147	Pair of Vega Photocells	1
JA31101	Quick 1 key selector	1
6100315	Flashing LED light - GUARD 230V	1
-	Warning sign	1
-	Kit installation accessories	1
-	Assembly instructions	1

INDIVIDUAL COMPONENTS OF THE KIT:
51701281 G-BAT KIT -
FREQUENCY 868 MHZ - JLC

Code	Name	Qty.
6170026	Electromechanical operator - G-Bat 300 RH	1
6170027	Electromechanical operator - G-Bat 300 LH	1
6100328	Control Board Brain 19	1
JA320	Control unit enclosure	1
6100332	Two-channel Transmitter Kilo TX 2	1
6100147	Pair of Vega Photocells	1
JA31101	Quick 1 key selector	1
6100315	Flashing LED light - GUARD 230V	1
6100347	Frequency Module RQFZ, 3-PIN plug-in, 868 MHz	1
-	Warning sign	1
-	Kit installation accessories	1
-	Assembly instructions	1

KIT



230V

G-BAT

29

GENIUS