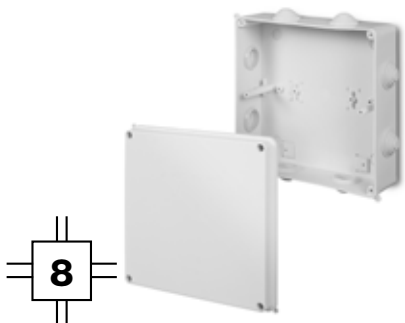


INSTALLATION BOXES SURFACE-MOUNTED EP-LUX TYPE PK

IP 55 650 °C 400 V PP



BOX N/T HERMETIC PK-8 EP-LUX IP 55

Type	Colour	Pack. pcs.	Weight Pack./Kgs	Index
PK-8	White RAL 9003	1	39,35	0231-00
	Grey RAL 7035*	1	39,35	0231-04

NORM: PN-IEC-60998-1:2006.
 Number of entries: 8-cable glands.
 Inside dimensions: 188x188x53 mm
 Dimensions: 196x196x78 mm

