



AWZ508

V1.0

PK2

Relay module



Edition: 3 from 17.06.2013
Supersedes the edition: 2 from 12.10.2010

EN

1. Destination.

The PK2 (AWZ508) relay module is to be used in low-voltage installations. It is intended for controlling and status indication in e.g. alarm or access control systems. It may be used to control devices of high power consumption via OC outputs of alarm systems. Moreover, it ensures galvanic isolation of signals, power sources relating to the outputs of the module. It is equipped with two separate T+, T- inputs used to trip relays with high or low condition.

2. Module description.

2.1 Module elements.

1 – feeding selection jumper
2 – relays
3 – LED diode (signals relay activity)
4 – module connections

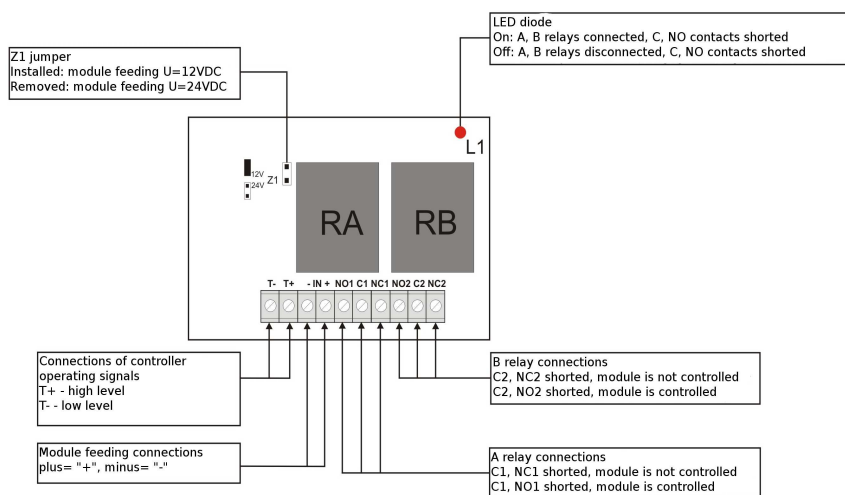
2.2 Module terminals.

T-, T+ input of voltage controlling relay activity
- IN + module supply input
C1, C2 – common relay clamp
NO1, NO2 – normally open relay clamp
NC1, NC2 - normally closed relay clamp

3. Specifications.

Voltage of the relay's coil	12V (10VDC÷15VDC) 24V (21VDC÷28VDC) configuration with jumper Z1
Power consumption	75 mA max.
Number of relays	2
Voltage of the relay's contacts	30VDC / 50VAC max.
Tripping voltage	T+ 5V÷Unom. T- 0V÷7V
Current of the relay's contacts	2A max.
Operating conditions	2nd environmental class -10°C ÷ 50°C
Dimensions	80 x 22 x 43 (WxHxD)
Net/gross weight	0,05 / 0,07 [kg]
Installation	installation tape or installation bolt x2
Declarations, warranty	CE, RoHS, 2 year from the production date
Notes	leads on connections: Ø 0,41÷1,63 (AWG 26-14),

4. Scheme of module connections.



WEEE PARKING

According to the EU WEE Directive – It is required not to dispose of electric or electronic waste as unsorted municipal waste and to collect such WEEE separately.

WARRANTY

Pulsar K. Bogusz Sp.j. (the manufacturer) grants a two-year warranty for the equipment, counted from the device's production date.

Pulsar K.Bogusz Sp.j.

Siedlec 150, 32-744 Łapczyca, Poland
Tel. (+48) 14-610-19-40, Fax. (+48) 14-610-19-50
e-mail: biuro@pulsar.pl, sales@pulsar.pl
http:// www.pulsar.pl, www.zasilacze.pl