

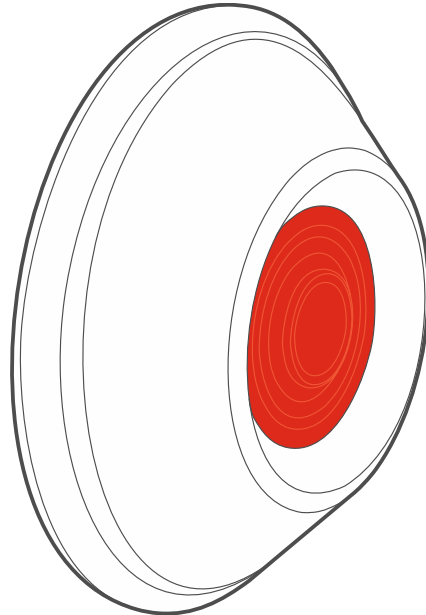
Satel®

abax2

APB-200

Wireless panic button

CE



Firmware version 1.00

EN
apb-200_en 10/21

SATEL sp. z o.o. • ul. Budowlanych 66 • 80-298 Gdańsk • POLAND
tel. +48 58 320 94 00
www.satel.eu

IMPORTANT

The device should be installed by qualified personnel.

Prior to installation, please read carefully this manual.

Changes, modifications or repairs not authorized by the manufacturer shall void your rights under the warranty.

The rating plate of the device is located on the enclosure base.



The device meets the requirements of the applicable EU directives.



The device is designed for indoor installation.



The device must not be disposed of with other municipal waste. It should be disposed of in accordance with the existing rules for environment protection (the device was placed on the market after 13 August 2005).



The device meets the technical regulations of the Eurasian Customs Union.

SATEL aims to continually improve the quality of its products, which may result in changes in their technical specifications and software. Current information about the changes being introduced is available on our website.

Please visit us at:

<https://support.satel.eu>

Hereby, SATEL sp. z o.o. declares that the radio equipment type APB-200 is in compliance with Directive 2014/53/EU. The full text of the EU declaration of conformity is available at the following internet address: www.satel.eu/ce

In the EU, this radio equipment is only permitted to operate in the 868 MHz frequency band.

The following symbols may be used in this manual:



- note,



- caution.

CONTENTS

1.	Features	2
2.	Description.....	2
	Radio communication	2
	Alarms	2
	Energy saving mode (ECO).....	2
	Test mode.....	2
	LED.....	2
	Battery status control	3
3.	Electronics board	3
4.	Installation	3
5.	Specifications	6

The APB-200 panic button is used to trigger a panic alarm or call for help in emergency situations. It can also be used to control the operation of various devices (e.g. automation or access control system devices). It is designed to operate within the ABAX 2 two-way wireless system. The button is supported by:

- ACU-220 / ACU-280 controller with firmware version 6.03 (or newer),
- ARU-200 repeater.

1. Features

- Encrypted two-way radio communication in the 868 MHz / 915 MHz frequency band (AES standard).
- Transmission channel diversity – 4 channels for automatic selection of the one that will enable transmission without interference with other signals in the 868 MHz / 915 MHz frequency band.
- Remote update of button firmware.
- Remote configuration.
- “ECO” option for longer battery life.
- Battery status control.
- LED for easier button testing.
- Tamper protection against enclosure opening and removal from mounting surface.

2. Description

Radio communication

The button connects to the controller at regular time intervals to provide information about its state (periodical communication). Additional communication may take place as a result of alarm.

Alarms

The button will report alarm:

- when pressed,
- when the tamper switch is open (tamper alarm).

Energy saving mode (ECO)

If you want to extend the battery life, you can enable in the detector the “ECO” option. When the “ECO” option is enabled, the periodical communication takes place every 3 minutes. This may provide up to four times longer battery life.

Test mode

The LED is enabled in the test mode which makes it easier to test the button. For how to enter and exit the test mode, see the ABAX 2 controller manual.

LED

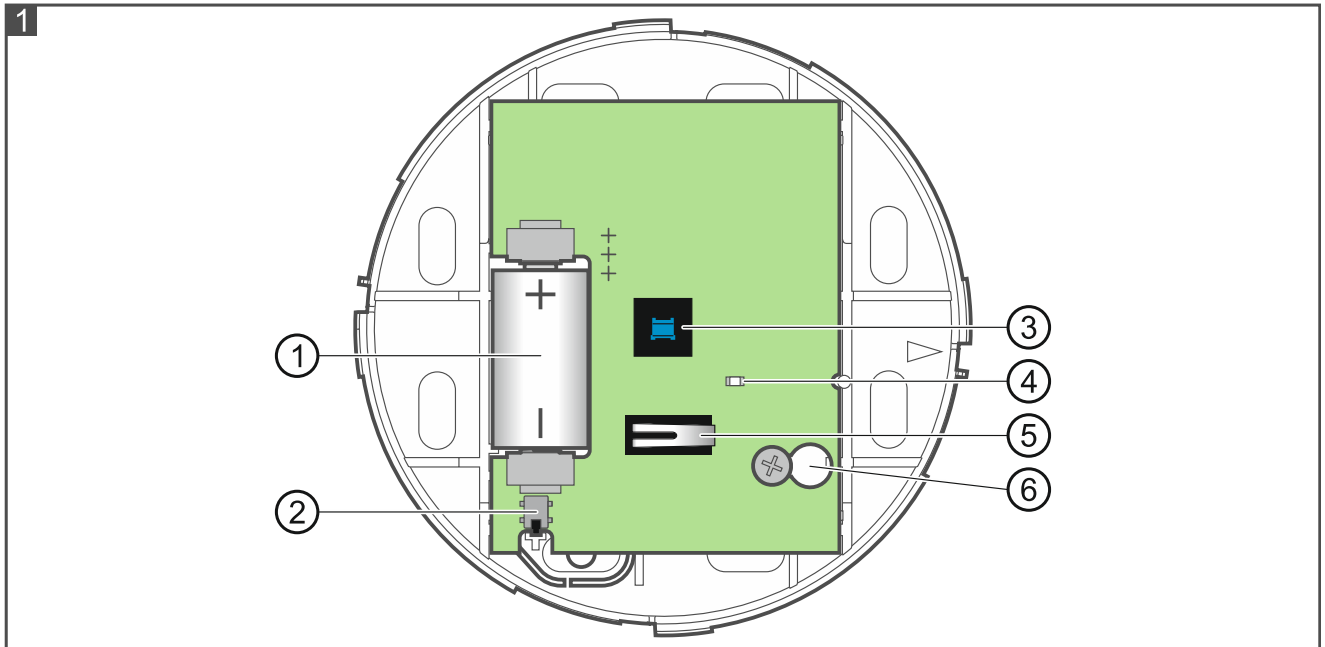
The LED will flash for about 5 seconds after the battery is inserted to indicate warm-up of the button. The LED also works in the test mode, in which it indicates:

- periodical communication – short flash (80 milliseconds),
- alarm – ON for 2 seconds.

Battery status control

When the battery voltage is below 2.75 V, information about low battery is sent during each transmission.

3. Electronics board



- ① battery (CR14250).
- ② tamper switch activated by removal from mounting surface.
- ③ button.
- ④ LED.
- ⑤ tamper switch activated by cover removal.
- ⑥ fixing screw hole.

4. Installation



There is a danger of battery explosion when using a different battery than recommended by the manufacturer, or handling the battery improperly. Do not crush the battery, cut it or expose it to high temperatures (throw it into the fire, put it in the oven, etc.).

Do not expose the battery to very low pressure due to the risk of battery explosion or leakage of flammable liquid or gas.

Be particularly careful during installation and replacement of the battery. The manufacturer is not liable for the consequences of incorrect installation of the battery.

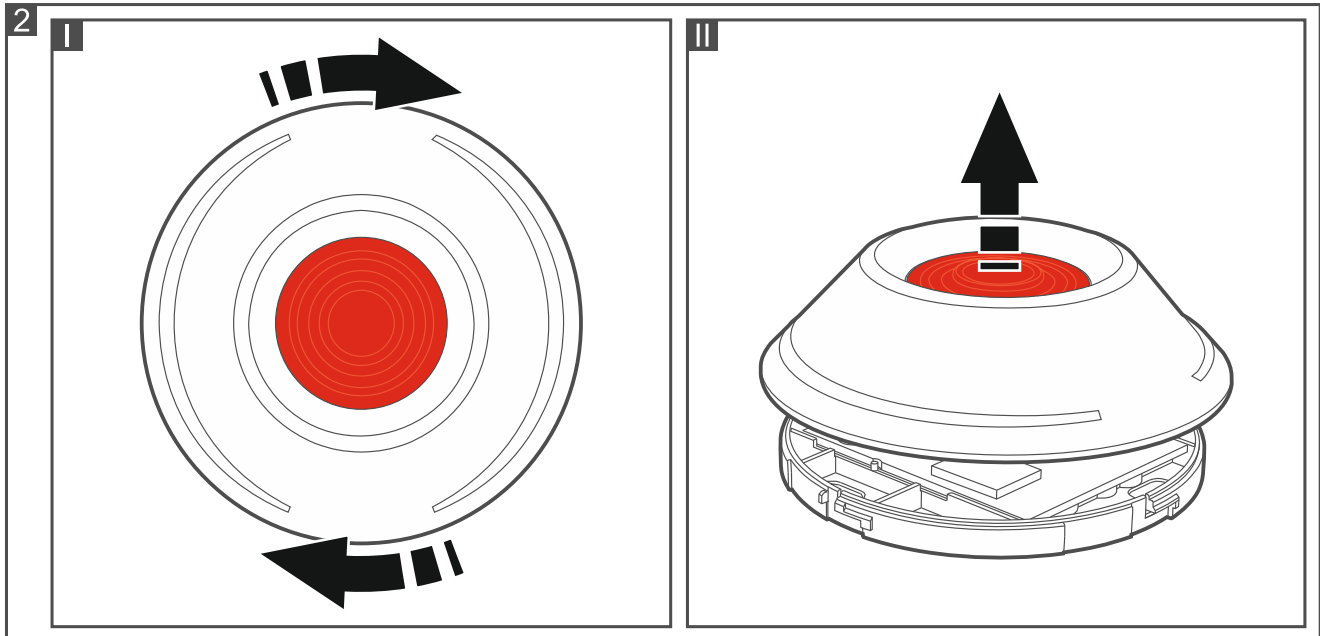
The used batteries must not be discarded, but should be disposed of in accordance with the existing rules for environment protection.

The button is designed for indoor installation.

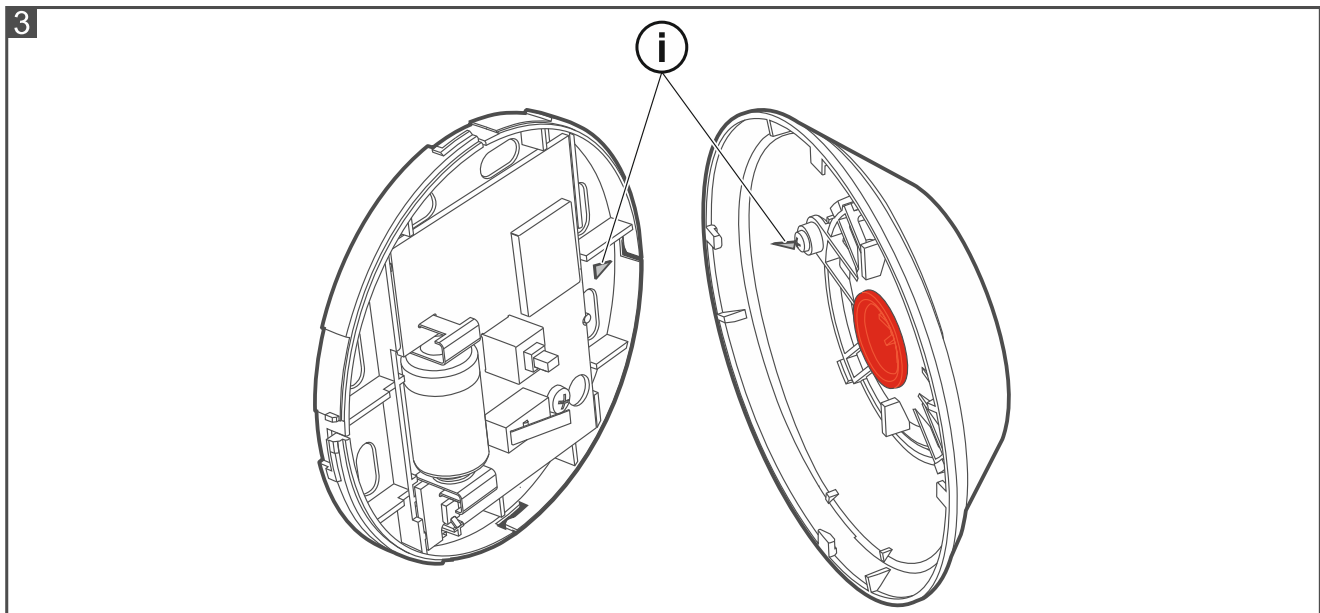
1. Remove the button cover (Fig. 2).
2. Insert the battery and add the button to the wireless system (see the ABAX 2 controller manual). The sticker with serial number which shall be entered when registering the button in the system can be found on the electronics board.



In the VERSA alarm system, you can add and configure the APB-200 button only by using the DLOADX program.




3. Replace the button cover. The marks on the cover and base will help you close the enclosure (Fig. 3).

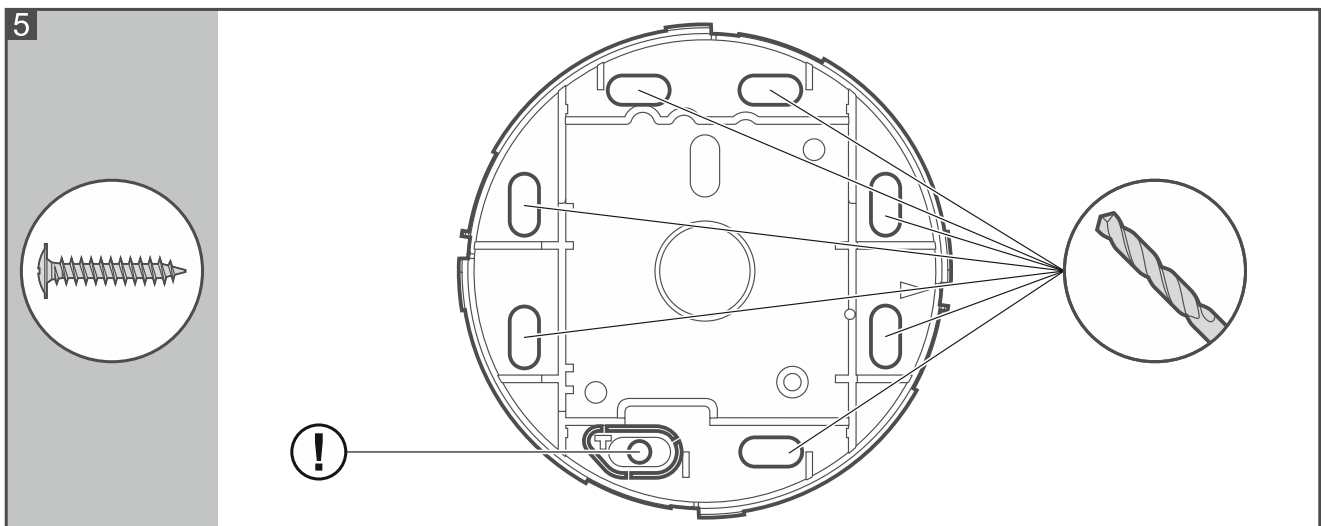
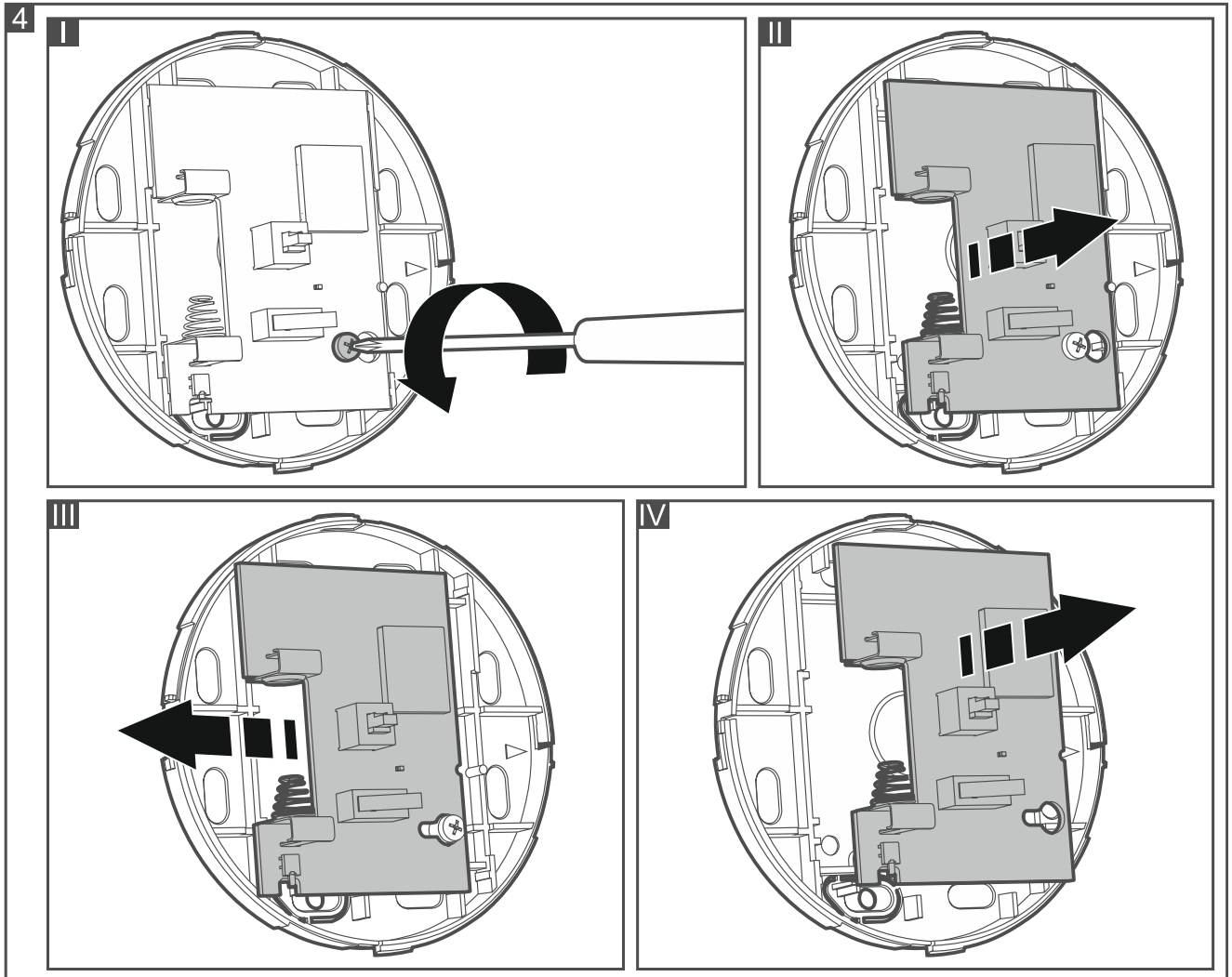


4. Place the button at its future mounting location.
5. Check the level of signal received from the button by the ABAX 2 controller. If the signal level is lower than 40%, select another mounting location. Sometimes, it is sufficient to shift the device ten or twenty centimeters.



Use the ARF-200 tester to test the radio signal strength at the future mounting location without having the detector physically there.

6. Remove the button cover (Fig. 2).
7. Remove the battery.
8. Remove the electronics board (Fig. 4).
9. Drill the holes for screws in the enclosure base (Fig. 5). We recommend to mount the enclosure base to the surface with 3 screws. Remember to take into account the mounting hole in the tamper protection element as indicated by the  sign in Fig. 5.



- 10. Use screws to mount the enclosure base to the surface. If necessary, select appropriate wall plugs (anchors) based on the type of the mounting surface (different for concrete or brick wall, different for plaster wall, etc.).
- 11. Fasten the electronics board.
- 12. Insert the battery and replace the button cover (Fig. 3).
- 13. Press the button to make sure this triggers the alarm.

5. Specifications

Operating frequency band.....	868.0 MHz ÷ 868.6 MHz / 915 MHz – 928 MHz
Radio communication range (in open area)	
ACU-220	up to 2000 m
ACU-280	up to 1200 m
Battery.....	CR14250 3 V
Battery life expectancy	up to 2 years
Standby current consumption	55 µA
Maximum current consumption	18 mA
Environmental class according to EN 50130-5	II
Operating temperature range.....	-10°C...+55°C
Maximum humidity	93±3%
Dimensions	ø97 x 29 mm
Weight.....	73 g