

## C721

## Low voltage 24V gearmotor



Max. leaf weight

800 Kg

Max speed

18 m/min.

Use frequency

Continuous use



- New mobile-axis reduction principle: exceptionally high mechanical performance (>80%) and energy saving. **FAAC Patent.**
- Magnetic limit switch.
- Electronic control unit with anti-crushing device and electronic encoder with reverse function upon detection of obstacle.



## DIMENSIONS AND TECHNICAL SPECIFICATIONS

Model	C721 24V
Power supply voltage	220-240V~ 50/60 Hz
Electric motor	Brush motor 24V ---
Max. power	290 W
Max. torque	30 Nm
Max expressed force	530 N
Reduction ratio	1:49
Max. leaf width	15 m
Leaf speed	18 m/min (adjustable)
Speed adjustment and motor control	Yes - electronic adjustment
Limit switch	Magnetic
Pinion	Z28 module 4
Encoder	Electronic encoder
Force adjustment	Via electronic control board
Operating ambient temperature	-20°C ÷ +55°C
Protection class	IP44
Weight	8 Kg
Dimensions (LxDxH)	304 x 180 x 282 mm
Max. leaf weight	800 Kg
Use frequency	100 %
Electronic equipment	Incorporated E721

## FAMILY MODELS

Model	Item code
C721 24V	109321

## PACKS

**C721 includes:** a low voltage electromechanical operator with E721 electronic control unit, pinion for rack, release key, foundation plate. The C721 includes the release lock with customisable key.

Typical Installation Examples page. 329

## ELECTRONIC CONTROL UNITS



E721 electronic control unit (incorporated in automation)  
Info at page 141

63002485

## ACCESSORIES



XBAT 24 emergency battery kit \*

390923



Release lock with customised key

712501001-10

## RACKS



Galvanised rack 30x12 mod. 4 including weld-on fittings (4 pcs pack, 1 m each)

490122



Galvanised rack 30x8 mod. 4 including weld-on fittings (4 pcs pack, 1 m each)

490123



Galvanised rack 30x12 mod. 4 including mechanical fittings (4 pcs pack, 1 m each)

490124



Galvanised rack 30x8 mod. 4 including mechanical fittings (4 pcs pack, 1 m each)

490125



30x20 mod.4 nylon rack with steel core (4 pcs pack, 1 m each) \*

490333

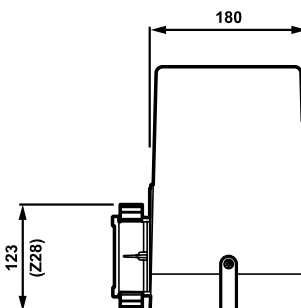
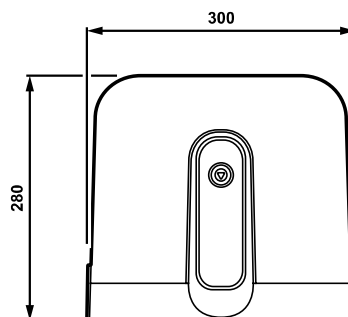


Kit of 4 fastening screws to be screwed in (package of 4 kits) to be combined with 1 m of 490333

390178

>>

## INSTALLATION DIMENSIONS (MM)



For any other configuration please refer to the technical manual

## NOTE

\* Max gate weight: 400kg.

### OTHER ACCESSORIES

Key operated buttons  
page 174

Safety edges  
page 185

Transmitters and receivers  
page 166

Photocells and columns  
page 182

Flashing lights  
page 192

Various accessories  
page 193