

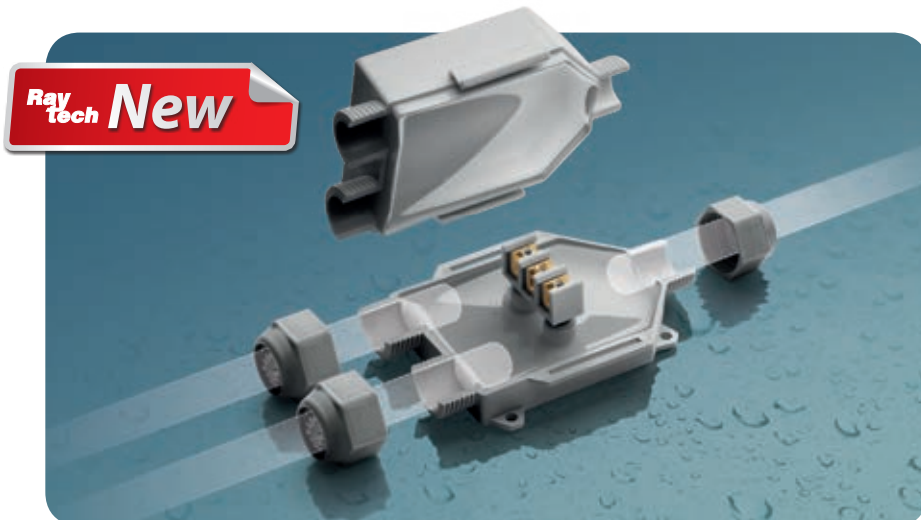
JOINT *or* BOX?

BABY BOX

The pre-filled gel accessory with integrated terminal block



*Nothing to pour,
mix or cast!*

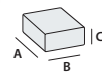
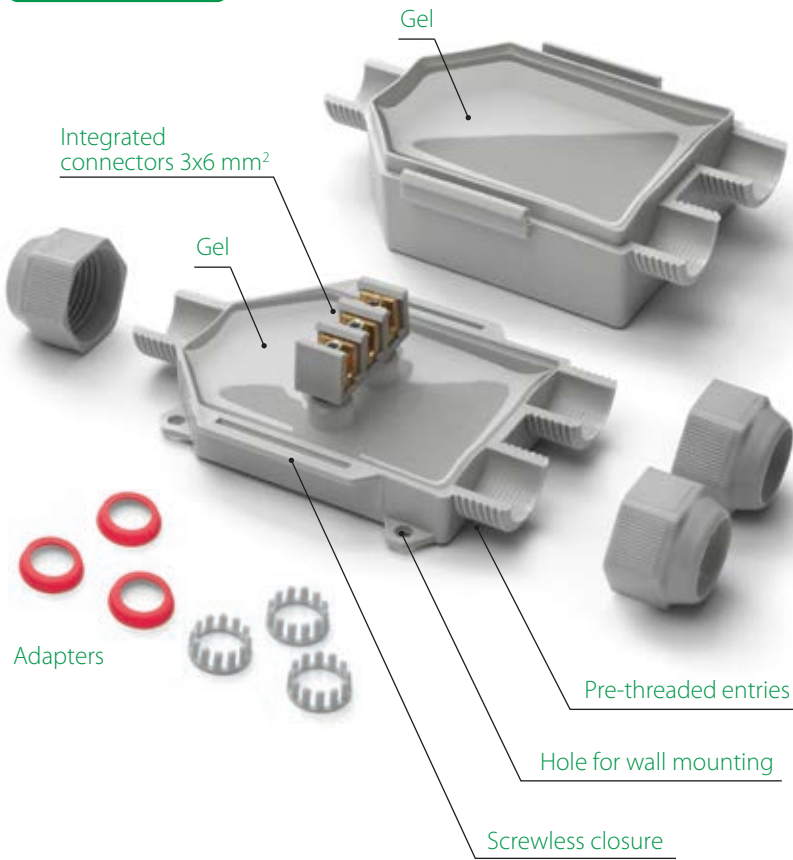


Compact, fast,
ready, complete.

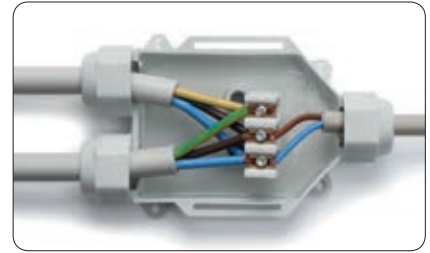
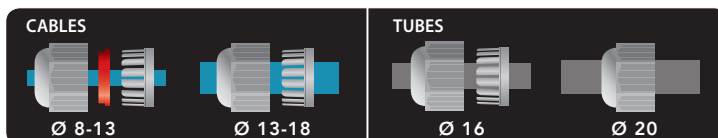




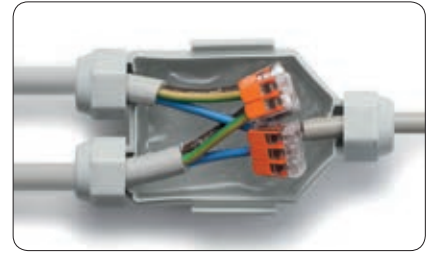
BABY BOX



Product	Colour	Ø	Ø entrances with cable glands		Ø tubes (mm)	A x B x C (mm)
			min (mm)	max (mm)		
Baby Box IP68	●	3	8	18	16 / 20	90 x 80 x 47
Baby Box IP68/N	●	3	8	18	16 / 20	90 x 80 x 47



With integrated connectors.



Also suitable for extra-flat lever connectors.



Also suitable for screw terminals.





JOINTS

GEL CONNECTION


Box IP68/IP69K

LV

Revolutionary!

Electrical performance:

CEI EN 50393 as applicable
Class 2 in accordance with CEI 64-8.

Gel: UL 94-HB 


Halogen free:

according to CEI EN 50267 2-2

Self-extinguishing and resistant to abnormal

heat and fire:

Glow wire test a +960°C
according to EN 60695-2-11

Operating temperature 

Gel operating temperature: 
-60°C / +200°C

IP69K
OFFICIALLY
TESTED

IP68
OFFICIALLY
TESTED

IMQ

Ready & Baby Box

3 or 4 entrances junction boxes pre-filled with gel, complete with integrated terminal block and cable glands for 8 to 18 mm diameter cables and for 16/20/32 mm ducts/conduit.

- Ready to use, they can be installed in all environmental conditions
- Also suitable for wet or flooded environments
- Always re-enterable
- Pre-filled with gel. Non-toxic and non-classified as hazardous under CLP
- Pre-threaded entries for cable gland mounting
- Snap shut closure, does not require screws
- Wall or external ceiling fixing system
- Halogen free & UV resistant
- No shelf life

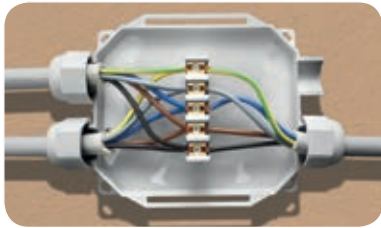
Box pre-filled with non-toxic, safe gel. Nothing to pour, mix or cast!



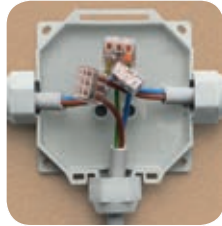
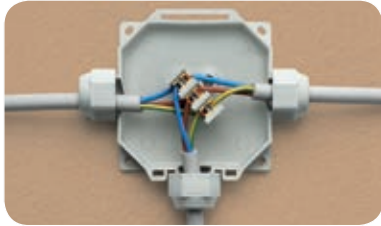
Ready, safe, quick and innovative



Ready Box IP68 - 120



Ready Box IP68 - 90



Thanks to its innovative design, unlike a standard box, there is no need to break through the walls of the box to insert the cable.

Also suitable for extra-flat lever connectors.

Also suitable for screw terminals.

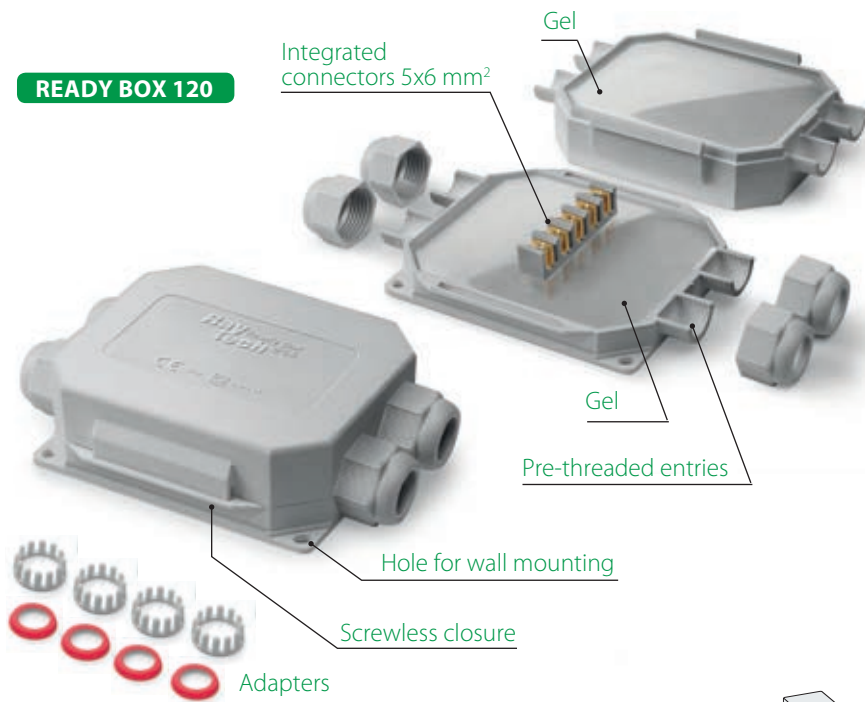


Installation with free cables.

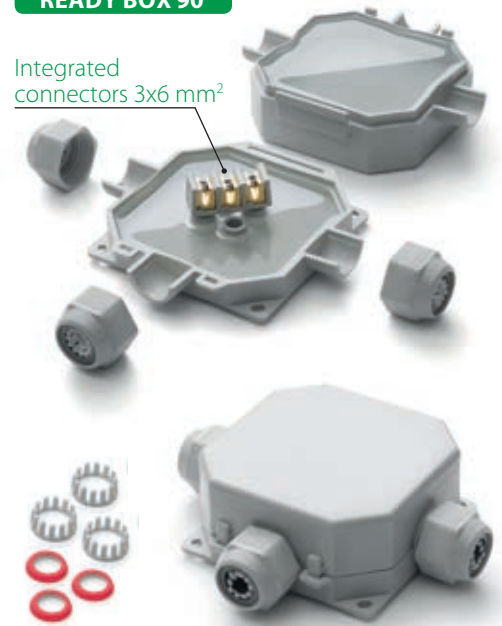


Installation with cable gland duct.

READY BOX 120



READY BOX 90



Product	Colour	Ø	Ø entrances with cable glands		Ø tubes (mm)	A x B x C (mm)
			min (mm)	max (mm)		
Ready Box IP68 90	●	3	8	18	16/20/32	90 x 90 x 45
Ready Box IP68 90/N	●					
Ready Box IP68 120	●	4	8	18	16/20/32	120 x 100 x 45
Ready Box IP68 120/N	●					

