

MC 340

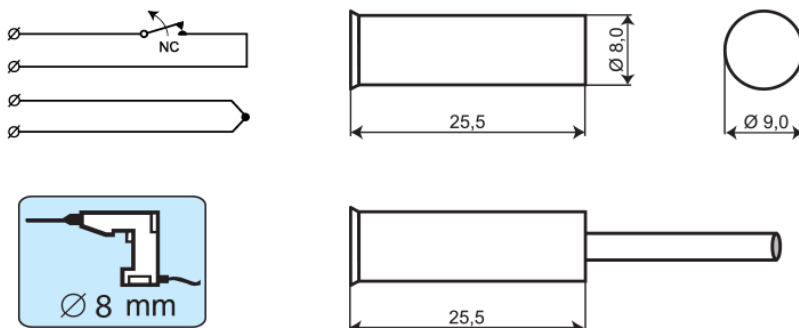
Magnetic Contact,
Recessed mounting, NC

Technical data

| | |
|-------------------------------|--|
| Installation method | Recessed mounting |
| Contact function | Normally Closed (NC) |
| Approvals | EN 50131-2-6 Grade 2, Class IIIA, VdS G 196670 Class B, INCERT B-582-0013, SBSC 9-200, Class 2, FG, NBÚ CZ Typ 2, NBÚ SK Typ 2 |
| Contact rating | 48 VDC / 500 mA / 10 VA |
| Drill diameter mm | 8 |
| Magnet type | Alnico 5 |
| Make distance (wood) mm | 21 |
| Make distance (steel) mm | X |
| Tamper protection | Yes |
| Connection | Cable |
| Housing material | ABS Plastic |
| Colour | White |
| Operating temperature range | -40°C - +70°C |
| Housing protection class | IP 67 |
| Contact dimensions (L x Ø) mm | 26 x 9 |
| Magnet dimensions (L x Ø) mm | 26 x 9 |
| Grade | 2 |




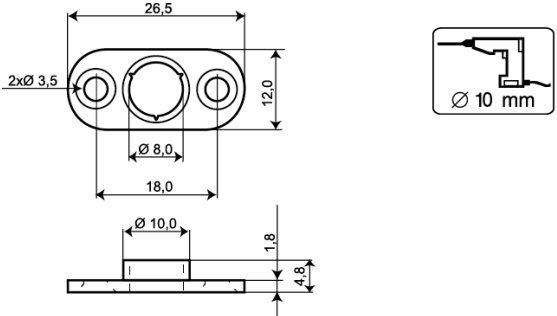

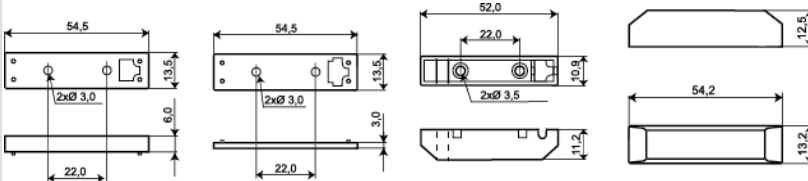

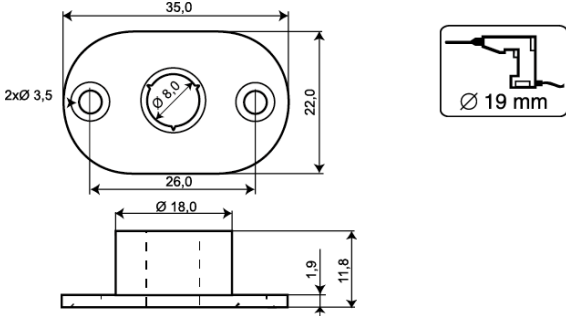

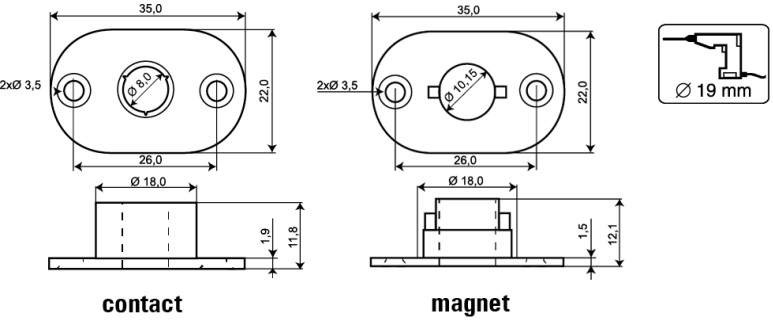

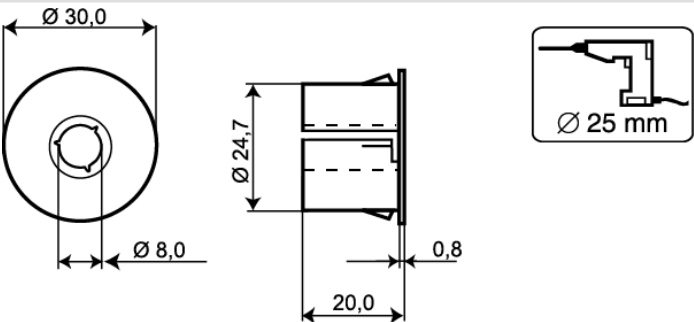
MC 340 is a universal magnetic contact with NC function that can be used in both alarm and access control systems for monitoring e.g. doors and windows against unauthorized opening. Both the contact and the magnet part are encased in a water proof (IP67) plastic housing, which enables easy installation into wood without additional accessories. With our extensive range of installation accessories it is easy to install the contact either recessed or as a surface mount on metal and other materials.




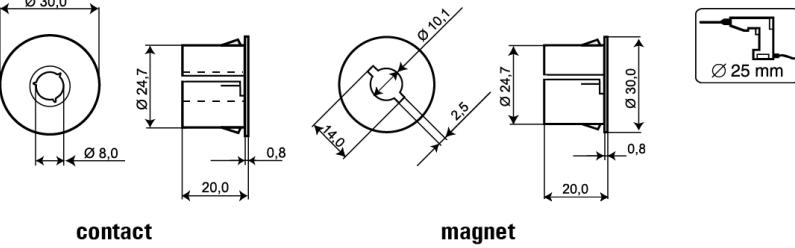

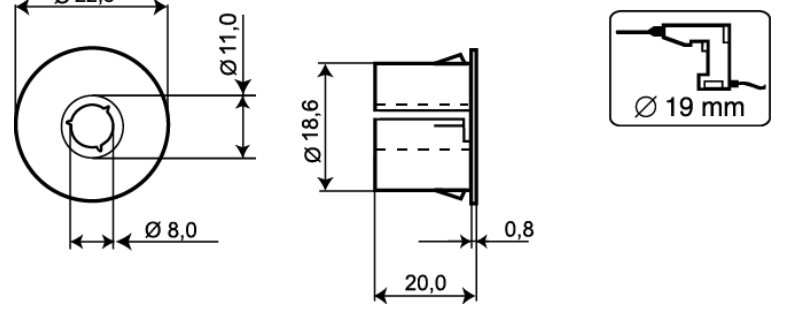

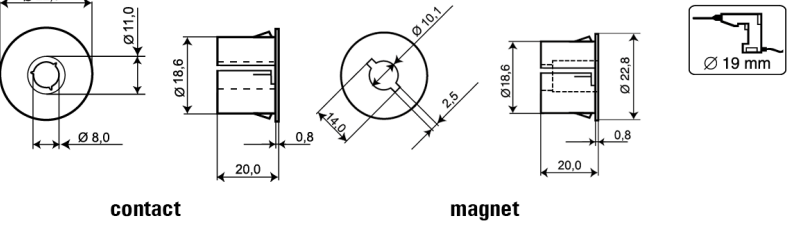

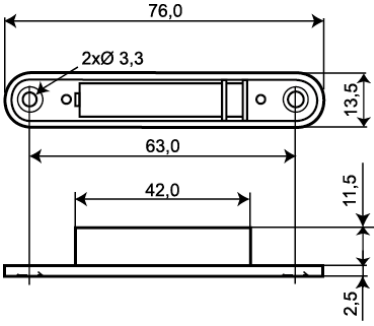
ORDERING INFORMATION

| Model | Description |
|-----------|--|
| MC 340 | Recessed magnetic contact, NC, 2 m cable |
| MC 340-5 | Recessed magnetic contact, NC, 5 m cable |
| MC 340-10 | Recessed magnetic contact, NC, 10 m cable |
| MC 340-C | Recessed contact without magnet, NC, 5 m cable |

Related products and accessories

| | | |
|---|--|--|
|  | <p>MC 300-S1</p> <p>Plastic flanges for MC 340, 346, 347, 370</p> |  |
|  | <p>MC 300-S3</p> <p>Plastic Housing for MC 340, 346, 347</p> |  |
|  | <p>MC 300-S11</p> <p>Plastic Flange for MC 340, 346, 347 and 370</p> |  |
|  | <p>MC 300-S12</p> <p>Plastic Flange with Strong Magnet for MC 340, 346, 347</p> |  |
|  | <p>MC 300-S21</p> <p>Plastic Snap-in Flange for MC 340, 346, 347, 370</p> |  |

Related products and accessories

| | | |
|---|--|--|
|  | <p>MC 300-S22</p> <p>Snap-in Flange with Strong Magnet for MC 340, 346, 347</p> |  |
|  | <p>MC 300-S31</p> <p>Plastic Snap-in Flange for MC 340, 346, 347, 370</p> |  |
|  | <p>MC 300-S32</p> <p>Snap-in Flange with Strong Magnet for MC 340, 346, 347</p> |  |
|  | <p>MC 300-S35</p> <p>Plastic Housing for MC 340, 346, 347</p> |  |